

The SFINX logo is rendered in a large, white, serif font. It is positioned on the left side of a dark blue header banner that features a glowing, circuit-like pattern of light blue lines and dots.

Service for French  
INternet eXchange

# SFINX Update

- SFINX outlines
- SFINX ↔ France IX interconnection
- New equipment at SFINX

Laurent Gydé  
[gyde@renater.fr](mailto:gyde@renater.fr)

The logo for SFINX, featuring the letters 'SFINX' in a bold, white, serif font. The background of the logo is a dark blue circuit board pattern with glowing blue lines and dots.

**SFINX**

Service for French  
INternet eXchange

# SFINX outlines

The logo for SFINX is displayed in a large, white, serif font against a dark blue background with a glowing circuit board pattern.

Service for French  
INternet eXchange

- Since 1995
- Neutral IX – Operated by RENATER
  - French NREN
- 2 POPs in PARIS
  - Interxion-1
  - Telcelouse-2
- 10GE / DWDM infrastructure
- 110+ peers
- DNS: Anycast replicate of F,I and M root name servers + .fr
- NOC 24 / 7 / 365

The logo for SFINX, featuring the letters 'SFINX' in a bold, white, serif font. The background of the logo is a dark blue circuit board pattern with glowing blue lines and dots.

Service for French  
INternet eXchange

# SFINX ↔ France IX interconnection

## SFINX ↔ France IX interconnection

- France-IX : New exchange point in Paris with 40+ members
- SFINX-France-IX interconnection
  - 2x10GE
- Makes it possible for SFINX and France IX members to peer

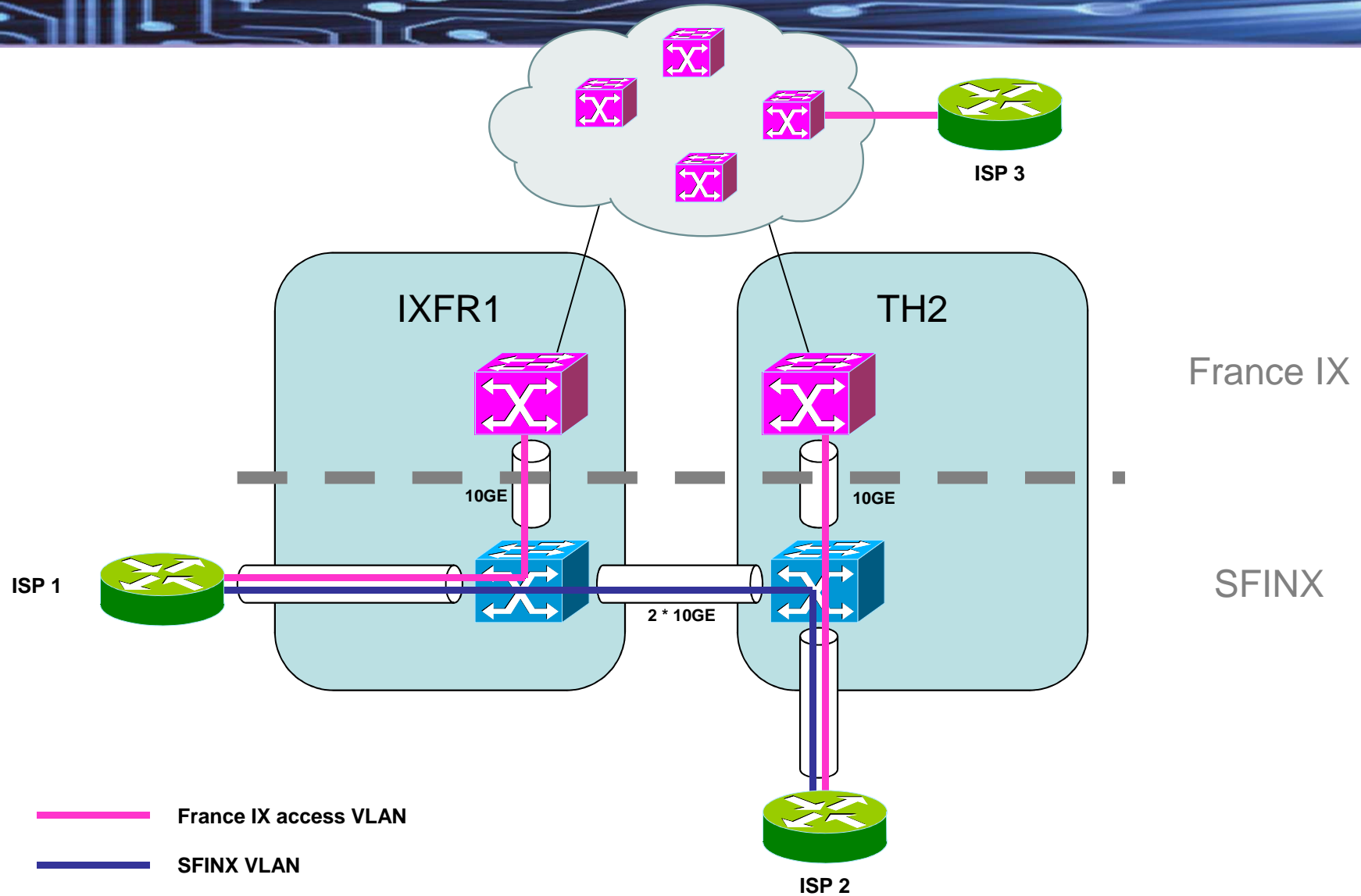
## SFINX ↔ France IX interconnection

- France-IX : New exchange point in Paris with 40+ members
- SFINX-France-IX interconnection
  - 2x10GE
- Makes it possible for SFINX and France IX members to peer

=> +45% peering opportunities for SFINX members !

# SFINX

Service for French  
INternet eXchange



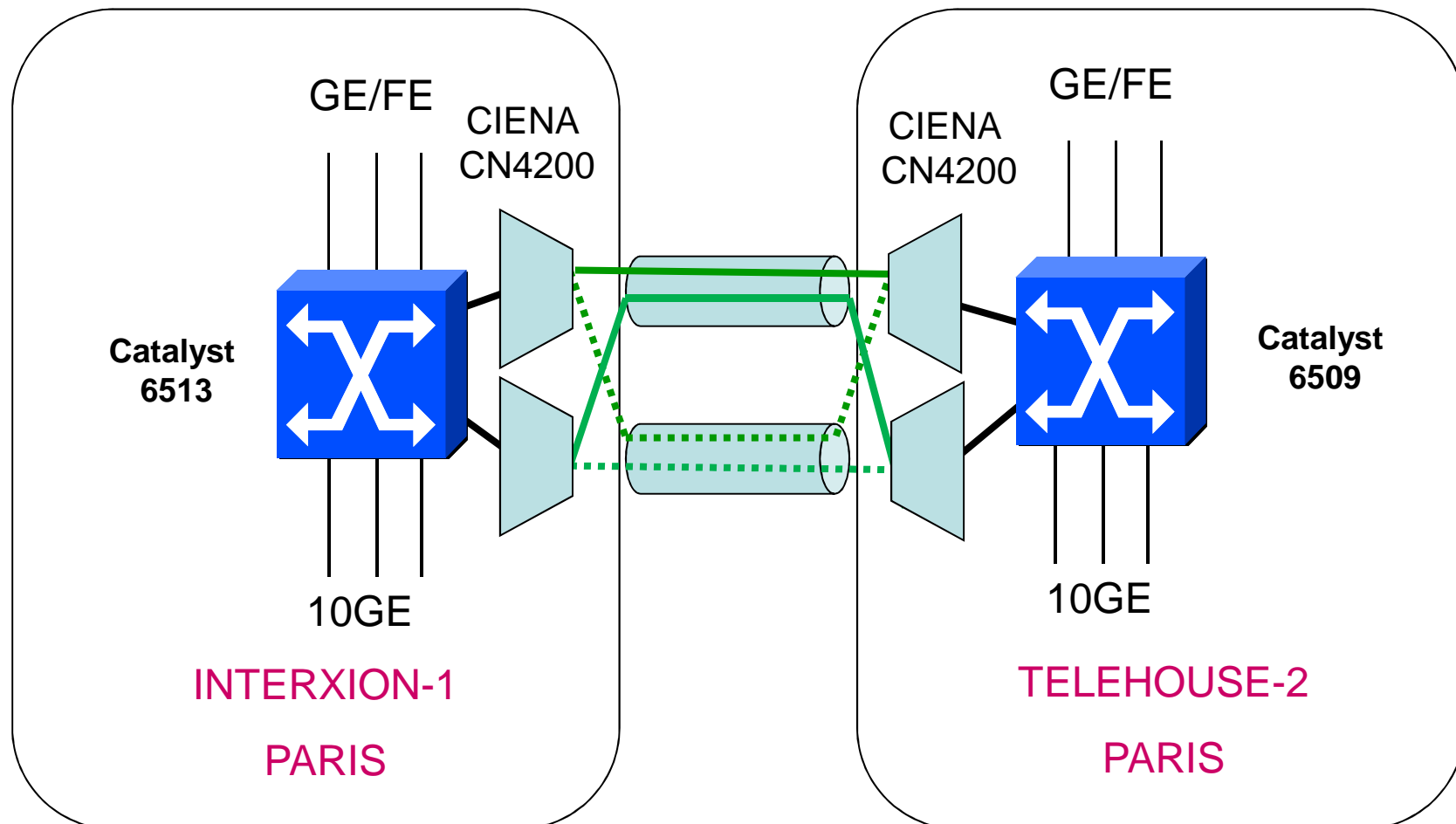
The SFINX logo is rendered in a bold, white, serif font. It is positioned on the left side of a horizontal banner that features a blue, glowing circuit board pattern with various lines and nodes.

Service for French  
INternet eXchange

# New equipment at SFINX



## Topology



## Time line

- Call for tender in summer 2010
- Choice late september => Brocade MLX-16e
- Deployment late 2010/early 2011

## Capacity upgrade

	Current use	2011	Potential
10/100/1000 copper	56	90	hundreds
1G optical	48	85	hundreds
10G	24	48	256
100G	0	0	32

**SFINX**

Thank you



[gyde@renater.fr](mailto:gyde@renater.fr)